



AUTOMATIC POWDER COATING SYSTEM



BEST GUNS FOR COLOR CHANGES

Our highly efficient powder guns colo-08 are the heart of the powder coating plant.

They guarantee the best coating results and uniform powder deposition. The manual gun OptiSelect excels by its outstanding ergonomics and the low weight

The optimized design , the smooth material and the innovative nozzles make

Colo-08 guns the best for color change .



- ★ Ideal internal design of the powder path
- ★ Optimized gun body design
- ★ High quality no-stick material ,use of high quality no-stick materials
- ★ Prevents powder accumulations and short circuits tendency with metallic powders.



BEST GUNS FOR COLOR CHANGES



Easy maintenance, long lifetime

It's easy to keep your gun in perfect conditions for many years. All the components can be quickly dismantled and checked, without special tools



Powerful and flexible for specialists

The CL-191S allows you to create and store your own library of application programs, optimized for your parts and powder.



CONTROL CABINET -COLO-5000



Can control the automatic coating system together

Or if as request It can make the powder gun spray in order recognizing the space between work piece and work piece (custom-made)



All kinds of automatic powder coating applications.

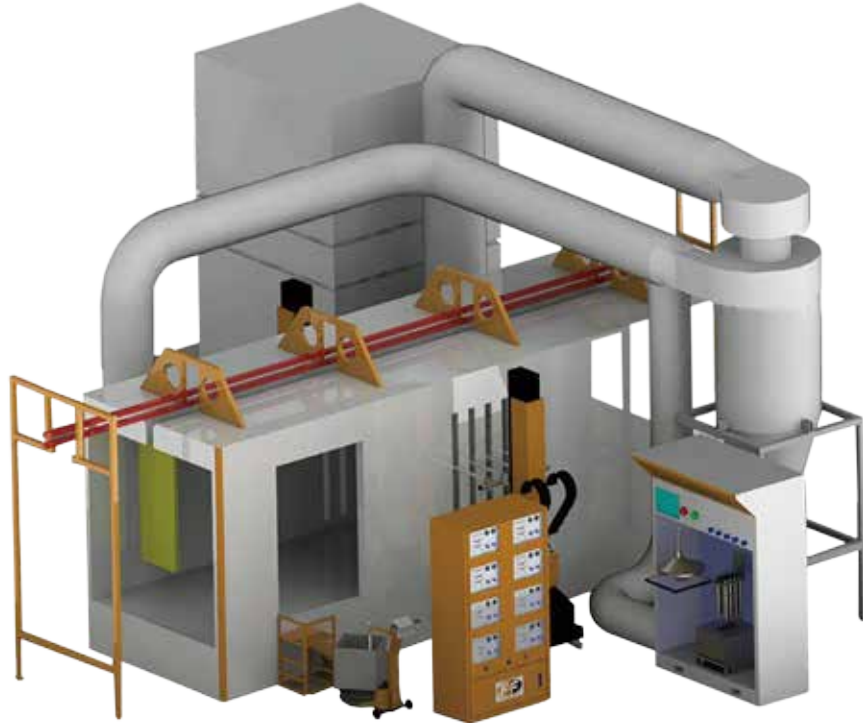
Easy integration in PLC systems



The CL-191s control unit can be interconnected and exchange operating data with an external PLC.



MONO-CYCLONE POWDER COATING BOOTH



Mono-cyclone fast color change powder coating booth

The bottom of spray booth equipped with an automatic device and automatically air knife keep the bottom always no Powders stay



Cyclone bottom cone bucket can be quickly separated from the barrel for easy cleaning.





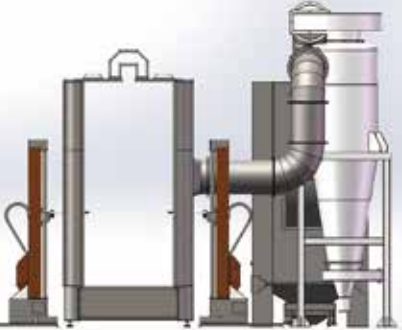
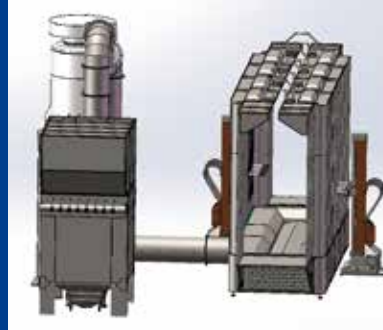
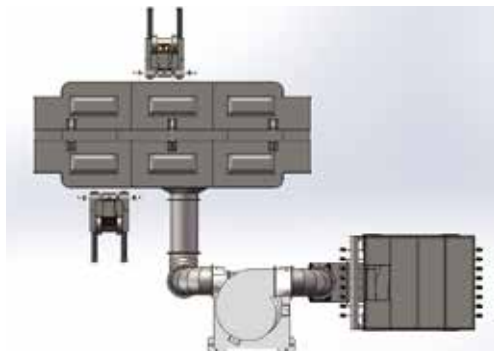
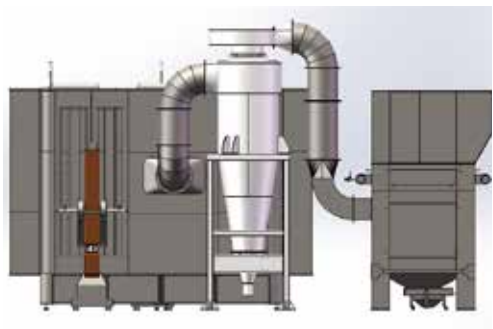
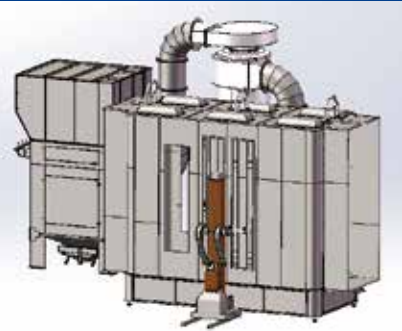
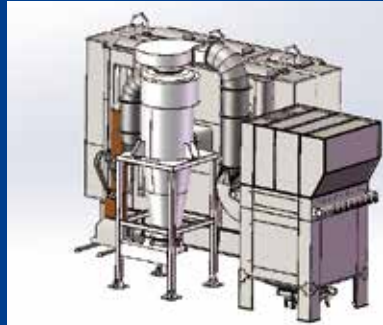
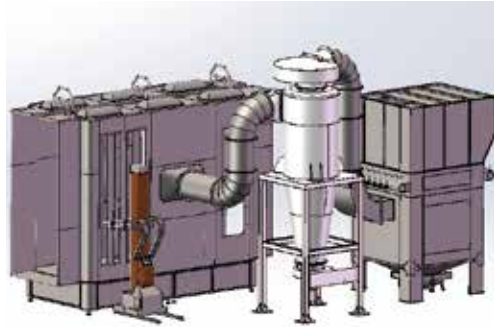
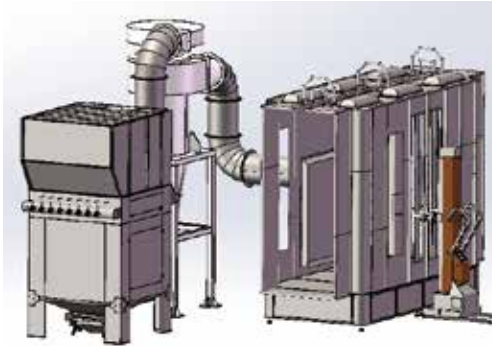
MONO-CYCLONE SEPARATOR

- ★ Mono-Cyclone single-tube structure makes clean up shorter color change.
- ★ Mono-cyclone separation rate of up to 98%.
- ★ Disc Cone bucket and cylinder junction of the filter shaking motor efficiency vibration screening.
- ★ Removable disk cleanup filter with change
- ★ Bevel the bottom of the bucket can be configured to work in alternate double balloon valve.
- ★ Bevel the bottom of the bucket can be configured to pump fluidized powder + powder pump delivery forms.
- ★ Exhaust pipe at the bottom end face of the circular cover plate can be quickly disassembled for cleaning





DIAGRAM





The key to a quick and clean color change is the compact powder center. Equipped with an independent exhaust air system, it offers maximum user comfort! As an option, the powder center can be upgraded with a fresh powder supply and a disposal system for used powders. .



COLO



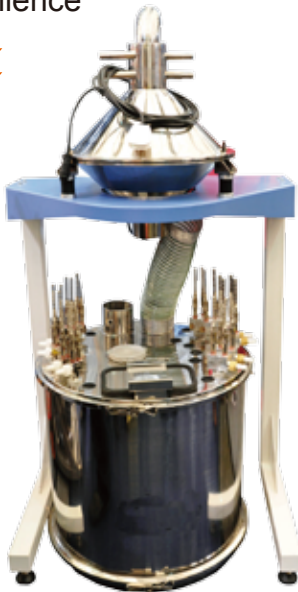
Automatic reciprocator colo-2000

Whether short or long strokes: smooth operation and high loading capacity are the hallmark of colo's reciprocators.



Sieving Machine (Auto/Manual) Colo-3000-s

- ★ Automatic separation
- ★ Outstanding ability to transfer the powder of large amount
- ★ Automatic supply of powder continuously
- ★ Vibration, low noise and dust
- ★ Securing stability and maximizing user's convenience



POWDER VACCUM PUMP PP-05 (powder high mass transfer)

It can transfer powder of large amount with low pressure using vacuum and keep a pleasant workshop environment minimizing dust scattering.

- ★ Automatic operation by level sensor within the powder hopper
- ★ Auto cleaning Function
- ★ Injector pipe with fludizing fuction
- ★ Transfer capacity 4Kg/min (within 15 meters)



Range of Use

Device for transferring high mass powder minimizing dust scattering.